

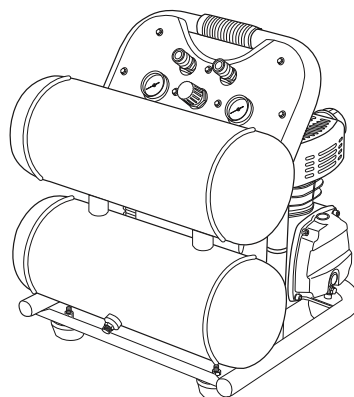
---

# Owner's Manual

---

## Compressor

Model Number	APC4028
Horse Power	3.5 Peak
Tank Capacity Gallons/Liters	4.6 gal.
Voltage/Amps/Phase	120/13.5/1
Kick-In Pressure	80
Kick-Out Pressure	115



**WARNING!** *The power cord on this product contains lead, a chemical, known to the state of California to cause cancer and birth defects or other reproductive harm. Wash hands after handling.*

## Precautions

- Drain the moisture from the tank daily to help prevent corrosion.
- Pull the pressure relief valve ring daily to ensure proper function and clear possible obstructions
- To provide proper ventilation for cooling, the compressor must be kept at least 12 inches (31cm) from the nearest wall, in a well-ventilated area.
- Fasten the compressor securely and release tank pressure before transporting.
- Protect the air hose and electronic cord from damage and puncture. Inspect them weekly for weak or worn spots, and replace if necessary.
- To reduce the risk of electric shock, do not expose to rain. Store indoors.
- Never operate the compressor if the power cord or plug are damaged. Take the equipment to nearest authorized service center and a specialist technician will replace it.