

ITEM NO.:APG3004A



Owner's Manual 1000W 2 STROKE GENERATOR



READ AND SAVE THESE INSTRUCTIONS!

HAVE QUESTIONS OR NEED SERVICE DO NOT RETURN TO STORE 888.896.6881	DES QUESTIONS BESOIN D'UNE REPARATION NE PAS RETOURNER AU MAGASIN 888.896.6881	PREGUNTAS O NECESSITA SERVICIO POR FAVOR NO REGRESSE A TIENDA 888.896.6881
--	--	--

www.allpoweramerica.com

1000 WATT GENERATOR

Table of Contents

Topic	Page
Table of Contents	2
Safety Information	3
Exploded View	4
Part List	5
Specifications	6
Components	7
Starting Your Generator	8
Operating Your Generator	8
Stopping Your Generator	8
Maintenance	8
Storage	9
Statement	9
Trouble Shooting	10
Generator Theory Diagram	11
Limited warranty	12

1000 WATT GENERATOR

Safety Information



CAUTION
PLEASE READ AND UNDERSTAND THIS MANUAL
COMPLETELY, BEFORE OPERATING THIS GENERATOR.

Never operate the engine in an enclosed area. All gasoline engines produce carbon monoxide gas while running. Breathing exhaust fumes can kill. Operate the engine in a well-ventilated area, only.

Extract from CPSC Document #5008 on Carbon Monoxide

The U.S. Consumer Product Safety Commission (CPSC) has issued the following warning regarding carbon monoxide poisoning:

- Do not use portable heaters or lanterns while sleeping in enclosed areas such as tents, campers, and other vehicles. This is especially important at high altitudes, where the risk of carbon monoxide poisoning is increased.
- Know the symptoms of carbon monoxide poisoning: headache, dizziness, weakness, nausea, vomiting, sleepiness, and confusion. Carbon monoxide reduces the blood's ability to carry oxygen. Low blood oxygen levels can result in loss of consciousness and death.
- See a doctor if you or a member of your family develops cold or flu like symptoms.
- Carbon monoxide poisoning can easily be mistaken for a cold or flu, and is often detected too late.
- Alcohol consumption and drug use increase the effects of carbon monoxide poisoning.
- Carbon monoxide is especially toxic to mother and child during pregnancy, infants the elderly, smokers, and people with blood or circulatory system problems, such as anemia, or heart disease.

Fuel Is Highly Flammable

- DO NOT refuel while engine is running.
- DO NOT refuel near sparks or open flame.
- DO NOT smoke while refueling.
- ALWAYS allow the engine and muffler to cool before refueling.
- Refuel ONLY in well-ventilated area.
- DO NOT over-fill gas tank

Engine And Muffler Get Very Hot

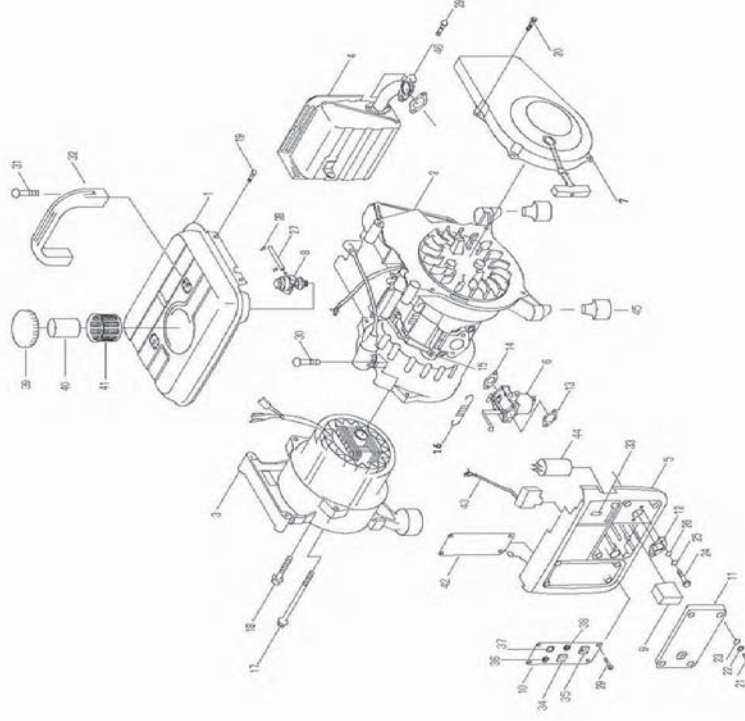
- Keep flammable materials at least 3 feet from generator.
- When in use, place generator in an area where children are not likely to touch it.

Electric Shock Hazard

- DO NOT operate in rain or snow, or next to body of water.
- DO NOT touch with wet hands.
- Be sure to USE GROUNDED PLUGS with the generator.
- DO NOT connect generator to commercial power outlets.

1000 WATT GENERATOR

Exploded View



1000 WATT GENERATOR

PART LIST

REFERENCE NUMBER	PART NUMBER	DESCRIPTION	QTY
APG3004A-01-EG	09550005	Fuel tank	1
APG3004A-02-EG	09500002	Gasoline engine	1
APG3004A-03-EG	0950028D-1	Generator	1
APG3004A-04-EG	09513000	Muffler	1
APG3004A-05-EG	09510007	Control panel	1
APG3004A-06-EG	09500038	Carburetor	1
APG3004A-07-EG	09508002	Start cover	1
APG3004A-08-EG	09514003	Fuel control valve	1
APG3004A-09-EG	09510032	Air filter	1
APG3004A-10-EG	09550001	Panel cover	1
APG3004A-11-EG	09510009	Air filter cover	1
APG3004A-12-EG	09500062	Plate pad	1
APG3004A-13-EG	09500039	Gasket 1	1
APG3004A-14-EG	09500035	Gasket 2	1
APG3004A-15-EG	09500041	Adjusting rod	1
APG3004A-16-EG	09500042	Spring	1
APG3004A-17-EG	050206080	Screw M6X70	2
APG3004A-18-EG	050206012	Screw M6X14	1
APG3004A-19-EG	050206011	Screw M6X14	4
APG3004A-20-EG	050206012	Screw M6X14	3
APG3004A-21-EG	060406018	Screw M6X20	4
APG3004A-22-EG	030206001	Spring washer \varnothing 6X23	4
APG3004A-23-EG	030106001	Plate pad \varnothing 6X24	2
APG3004A-24-EG	060406065	Screw M6X65	2
APG3004A-25-EG	030206001	Spring washer \varnothing 6X26	2
APG3004A-26-EG	030106001	Plate pad \varnothing 6X27	2
APG3004A-27-EG	02700059	Fuel tube	1
APG3004A-28-EG	09500085	Clump	1
APG3004A-29-EG	0501060161	Screw ST 3.5X9.5	2
APG3004A-30-EG	060406018	Screw M6X20	1
APG3004A-31-EG	060406018	Screw M6X20	2
APG3004A-32-EG	09500063	Handle	1
APG3004A-33-EG	09510029	ON/OFF switch	1
APG3004A-34-EG	08950002	DC socket	1
APG3004A-35-EG	09510012	AC socket	1
APG3004A-36-EG	08950003	DC circuit breaker	1
APG3004A-37-EG	08950004	Light	1
APG3004A-38-EG	08950003	AC circuit breaker	1
APG3004A-39-EG	09559001	Fuel cap	1
APG3004A-40-EG	09559004	Fuel cup	1
APG3004A-41-EG	09559005	Fuel filter	1
APG3004A-42-EG	08950005	Plate cover	1
APG3004A-43-EG	09511000	Indicator light	1
APG3004A-44-EG	09510037	Capacitor	1
APG3004A-45-EG	09500056	Rubber pad	1
APG3004A-46-EG	08950006	Gasket	1

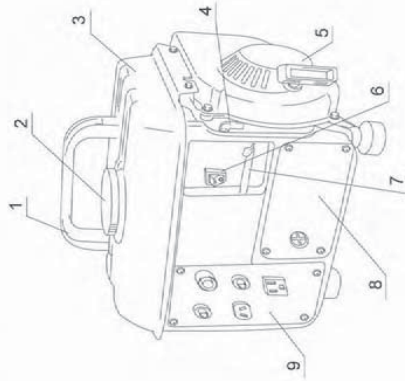
1000 WATT GENERATOR

Specifications

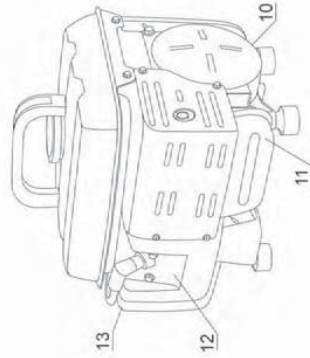
DIMENSIONS	
Length	15 in.
Width	12 in.
Height	14 in.
Weight	44.1 lbs.
ENGINE	
Type	Air cooled 2-stroke
Fuel	Nonleaded gasoline with a minimum of 90% octane
Oil	Two-stroke lubrication
Gasoline and oil mixing ratio	50 : 1
Displacement	63 cc
Starting System	Recoil (Electronic Ignition)
Driving System	Direct Coupling, Taper Fit
Spark Plug	BSES
Governor	Mechanical(Adjustable)
Cooling System	Forced Air
Stroke	TWO Stroke
Carburetor Type	Hg63
Air Cleaner Type	Sponge element
Compression Ratio	6
Decibel Ratio	80db @ 3.3 ft. 65db @ 24 ft.
Rated Output	1.5 HP @ 3600 rpm
Fuel Tank Capacity	1.2 Gal.
GENERATOR	
AC Output Rating	120 Volts
Frequency	60 Hz
AC Current	6.7 Amps
Rated Output, Continuous	800 Watts
DC Output Rating	12 Volts
DC Current	10 Amps
Power Factor	COS ϕ = 1
Steady State Voltage range	+/- 15%
Steady State Frequency range	Less than 7%
Voltage Waveform	Twist Rate Less than 25%

1000 WATT GENERATOR

Generator Components



1. Handle
2. Fuel Cap
3. Fuel Tank
4. Fuel Shut-off
5. Recoil Starter
6. Engine On-Off Switch
7. Throttle Lever
8. Air Cleaner
9. Control Panel
10. Generator
11. Muffler
12. Cylinder
13. Spark Plug



1000 WATT GENERATOR

STARTING THE ENGINE

1. Disconnect all electric appliances from generator before starting.
2. Turn fuel shut-off lever to "ON".
3. Move Choke lever all the way to the left.
4. Turn engine switch to "ON" position.
5. Pull recoil starter cord slowly until engaged, then pull briskly to start.
6. Once engine has started, move choke lever all the way back to the right.

CONNECTING ELECTRICAL APPLIANCES

Always allow engine to warm up before connecting any electrical load to the generator.

STOPPING ENGINE

1. Turn off all appliances, then disconnect them from the generator.
2. Turn engine Switch to "STOP" position.
3. Turn fuel shut-off lever to "OFF"
4. Allow engine to cool before attempting to move the generator or to refuel.

RESETTING BREAKER BUTTONS

If reset trips, disconnect all external electrical appliances before pushing the reset button. After reconnecting the external electrical appliance, if reset continues to trip that indicates that the electrical lead connected to the generator from one or more of the appliances may have a short circuit. In that event, discontinue use of that item until it has been checked and/or repaired by a qualified technician.

PERIODIC MAINTENANCE

Service intervals

Clean air filter after every 150 hours of run time. (If used in very dusty conditions, clean air filter after every 10 hours of run time)

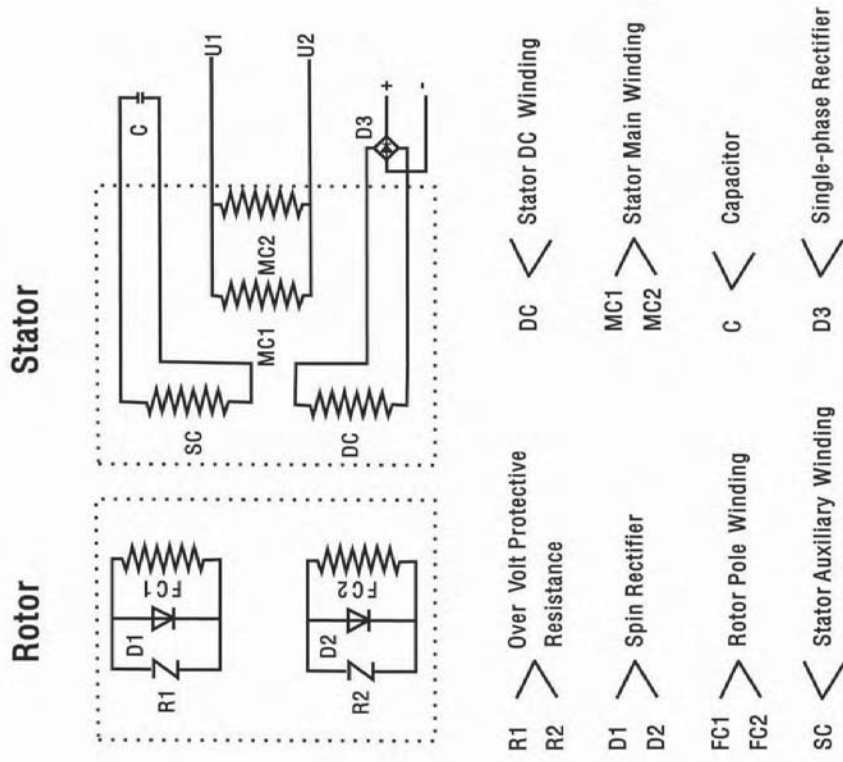
1. Remove foam filter and wash in mild detergent or dish washing liquid.
2. Rinse thoroughly, than squeeze out excess water.
3. Allow to thoroughly dry at room temperature.
4. Pour a small amount of gasoline in filter element, then squeeze out any excess gasoline.
5. Replace filter.

Clean spark plug every 50 hours of run time.

1. Remove spark plug and clean electrode with wire brush.
2. Reset gap to .028- .031 in. (.7-8mm)

1000 WATT GENERATOR

GENERATOR THEORY DIAGRAM



1000 WATT GENERATOR

Limited Warranty

All-Power America warrants to the original purchaser who uses the product in a consumer application (personal, residential or household usage) that all products covered under this Warranty are free from defects in material and workmanship for one year from the date of purchase. All products covered by this limited Warranty which are used in commercial applications (i.e. income producing) are warranted to be free of defects in material and workmanship for 90days from the date of original purchase. Products covered under this Warranty include air compressors, air tools, service parts, pressure washers and generators.

All - Power America will repair or replace at All - Power America's sole option, products or components which have failed within the warranty period . Service will be scheduled according to the normal work flow and business hours at the service center location, and the availability of replacement parts. All decisions of All- Power America with regard to this limited warranty shall be final.

This warranty gives you specific legal rights, and you may also have other rights which vary from state to state.

RESPONSIBILITY OF ORIGINAL PURCHASER (initial User):

- To process a warranty claim on this product, **DO NOT** return item to the retailer. The product must be evaluated by an Authorized Warranty Service Center. For the location of the nearest Authorized Warranty Service Center contact the retailer or place of purchase.
- Retain original cash register sales receipt as proof of purchase for warranty work.
- Use reasonable care in the operation and maintenance of the product as described in the Owner's Manual(s).
- Deliver or ship the product to the nearest Authorized Warranty Service Center. Freight costs, if any, must be paid by the purchaser.
- Air compressors with 60 and 80 gallon tanks will be inspected at the site of installation. Contact the nearest Authorized Warranty Service Center that provides on-site service calls for service call arrangements.
- If the purchaser does not receive satisfactory results from the Authorized Warranty Service Center, the purchaser should contact All-Power America.

1000 WATT GENERATOR

Limited Warranty (cont'd)

THIS WARRANTY DOES NOT COVER:

- Merchandise sold as reconditioned, used as rental equipment, or floor or display models.
- Merchandise that has become damaged or inoperative because of ordinary wear, misuse, cold, heat, rain, excessive humidity, freeze damage, use of improper chemicals, negligence, accident, failure to operate the product in accordance with the instructions provided in the Owner's Manual(s) supplied with the product, improper maintenance, the use of accessories or attachments not recommended by All-Power America, or unauthorized repair or alterations.
- Repair and transportation costs of merchandise determined not to be defective.
- Costs associated with assembly, required oil, adjustments or other installation and start-up costs.
- Expendable parts or accessories supplied with the product which are expected to become inoperative or unusable after a reasonable period of use.
- Merchandise sold by All-Power America which has been manufactured by and identified as the product of another company, such as gasoline engines. The product manufacturer's Warranty, if any, will apply.
- ANY INCIDENTAL, INDIRECT OR CONSEQUENTIAL LOSS, DAMAGE, OR EXPENSE THAT MAY RESULT FROM ANY DEFECTS, FAILURE OR MALFUNCTION OF THE PRODUCT IS NOT COVERED BY THIS WARRANTY. Some states do not allow the exclusion, so it may not apply to you.
- IMPLIED WARRANTIES, INCLUDING THOSE OF MERCHANTABILITY OR FITNESS FOR A PARTICULAR PURPOSE, ARE LIMITED TO ONE YEAR FROM THE DATE OF ORIGINAL PURCHASE. Some states do not allow limitations on how long an implied warranty lasts, so the above limitations may not apply to you.

Distributed by:
ALL-POWER AMERICA
730 S.Epperson Dr.
City Of Industry, CA91748
www.allpoweramerica.com