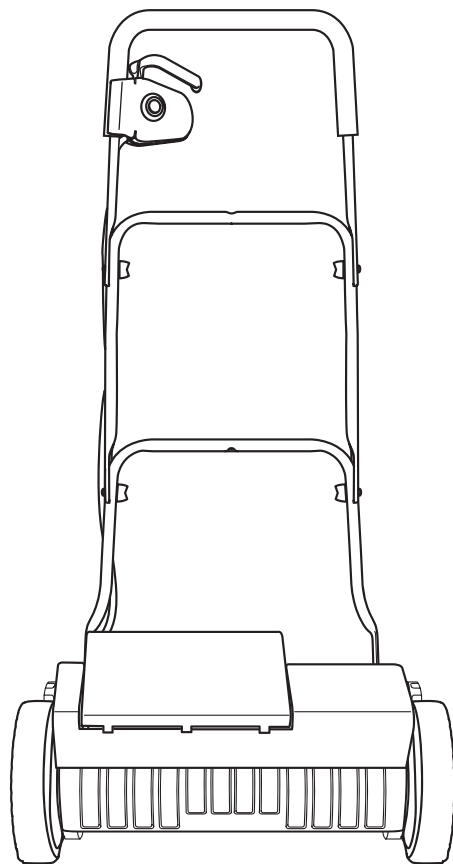


APT1216



Owner's Manual

24V Cordless Lawn Mower



HAVE QUESTIONS OR NEED SERVICE
DO NOT RETURN TO STORE!
888.896.6881



READ AND SAVE THESE INSTRUCTIONS!



Table of Contents

Before Using.....	2
Warning.....	3
Use of Product.....	3-4
Part List.....	4
Assembly.....	5-6
Battery Charging and Recharging.....	6-7
Operation.....	8-11
Cutting Height Adjustment.....	9
Starting and Stopping.....	9
Reset Button.....	9
Mower.....	10-11
Maintenance.....	11
Storage.....	11
Technical Data and Features.....	12
Limited Warranty.....	12

**BEFORE USING THE NEW ELECTRIC RECHARGEABLE
POWER REEL MOWER**

Please read this guide and use these operating instructions to become familiar with the mower and its features. The charging of batteries, operation of the mower, and notes on safety and maintenance procedures are important for the use and enjoyment of this product.

WARNING

When using an electrical appliance, basic safety precautions should be observed, including the following, to reduce the risk of the fire, electrical shock or injury:

1. Read the instructions carefully. Be familiar with the controls and the proper use of the appliance.
2. Do not use it as a toy.
3. Never allow children or people unfamiliar with these instructions to use the appliance. Local regulations may restrict the age of the operator.
4. Never mow while people, especially children, or pets are nearby.
5. The operator or user is responsible for accidents or hazards occurring to other people at their property.
6. Mow only in daylight or in good artificial light.
7. Avoid operating the appliance in wet grass, where feasible.
8. Walk, never run when operating.
9. Do not operate the mower when barefoot or wearing open sandals.
10. Thoroughly inspect the area where the mower is to be used, and move any object which may jam or be thrown by the machine.
11. Always be sure of your footing on slopes, do NOT mow excessively steep slopes.
12. Mow across the face of slopes, never up and down.
13. Exercise extreme caution when changing direction on slopes.
14. Use extreme caution when reversing or pulling the appliance towards you.
15. Do not put hands or feet near rotating parts. Keep clear of the discharge opening at all times.
16. Never pick up or carry the appliance while the motor is running.
17. Stop the blade if the appliance has to be tilted for transportation when crossing surfaces other than grass, and when transporting the appliance to and from the area to be mowed.
18. Never operate the appliance with defective guards, or without safety devices, for example deflectors and/or grass catchers in place.

19. Switch on the motor according to instruction and with feet well away from the blade.
20. Do not tilt appliance when switching on the appliance.
21. Keep all nuts, bolts and screws tight to be sure the equipment is in safe working condition.
22. Replace worn or damaged parts for safety.
23. Be careful when adjusting height, ensure that the battery is removed and keep fingers away from all moving parts.
24. Do not handle charger or mower with wet hands.
25. Use only as described in this manual.
26. DO not attempt to use the charger with any other product nor attempt to charge . this product with another charger
27. DO not abuse the charger cord; never carry the charger by the cord or pull cord to disconnect from an outlet, grasp the plug and pull to disconnect.
28. Keep charger cord away from hot surfaces.
29. This product includes lead acid(Pb)batteries; do not incinerate batteries or expose to high temperatures, as they may explode.
30. Leaks from battery cells can occur under extreme conditions. If the liquid gets on the skin wash immediately with soap and water. If the liquid gets into the eyes, flush then immediately with clean water for a minimum of 10 minutes and seek medical attention.
31. Keep hair, clothing, fingers and all parts of body clear of moving parts.
32. Dress properly! Do not wear loose clothing or jewellery which can be caught by moving parts. Use of non-slip footwear is recommended.
33. Do not attempt to repair any damaged parts on this product unless you are qualified to do so.

USE OF THIS PRODUCT



WARNING

For safety reasons persons of less than 16 years of age or persons not familiar with these operating instructions must not use the electric rechargeable mower.

This mower is designed for use on residential lawns. It is not designed for commercial use or for use in public facilities, parks, sporting grounds, roads, or in agriculture or forestry areas.

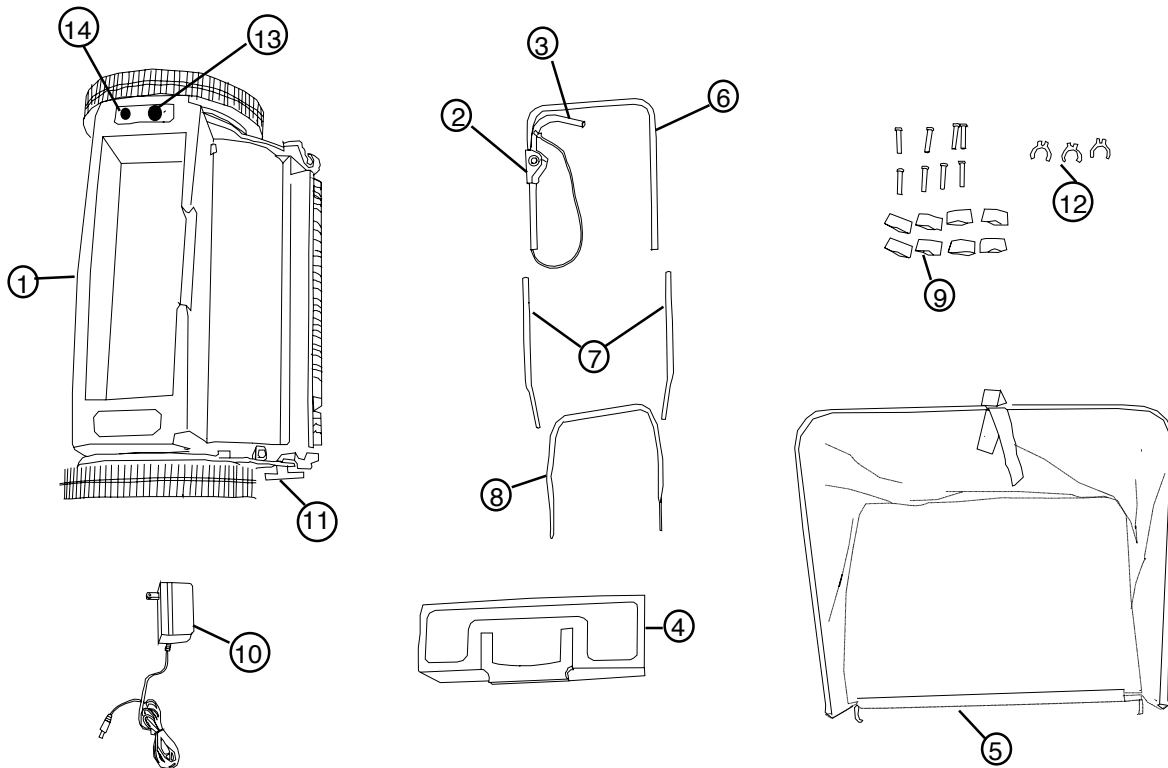
This mower is for cutting lawns only. It must not be used to trim hedges, bushes or shrubs, for cutting or pruning, or for any mowing where both wheels and the roller are not fully supporting the mower.

PART LIST

PART LIST

Please check when unpacking the unit to be sure that all items listed below are included:

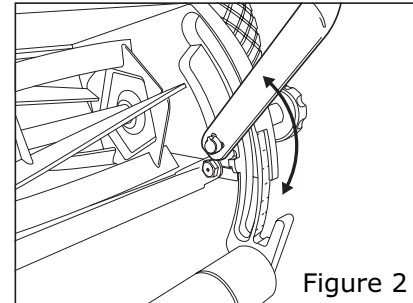
- | | |
|---------------------|---------------------------|
| 1.Main Unit | 8.Lower Handle |
| 2.Safety Switch | 9.Nuts and Bolts X 8 |
| 3.Level Switch | 10.Charging Adaptor |
| 4.Battery Pack | 11.Height Adjustment Knob |
| 5.Grass Catcher | 12.Cable Clips X 3 |
| 6.Upper Handle | 13.On/Off Switch |
| 7.Middle Handle X 2 | 14.Reset Button |



ASSEMBLY

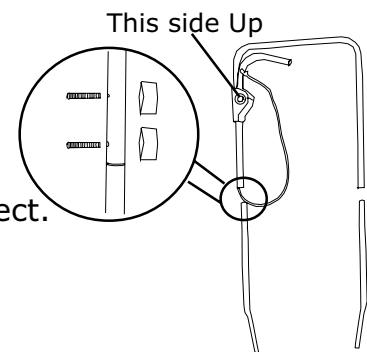
Unpack and remove the whole unit from packaging, and ensure all the parts are present. (See Figure 1)

1. Set the cutting height to the highest setting. This will make it easier to attach the lower handle section.
2. Fit the Lower handle onto the two large lugs on the Main Unit. Fit one side and then flex the other side of the handle until it fits the opposite lug. (See Figure 2)

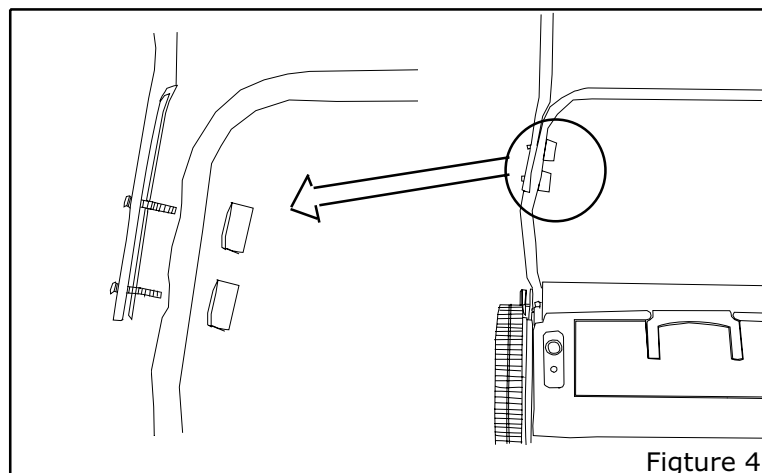


3. Assemble the Upper Handle to the Middle Handle. Use 2 sets of the nuts and bolts to secure in place. Make sure that when the Upper Handle is facing up (safety button facing up) (See Figure 3)

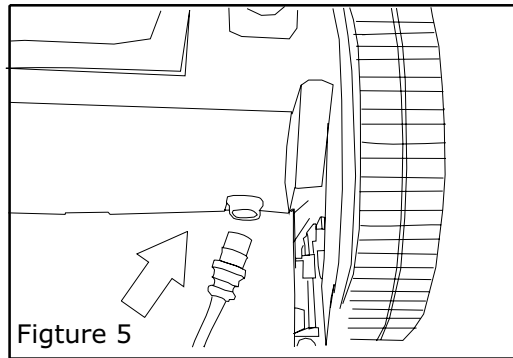
If you have incorrectly assembled this part, disconnect. and re-assemble in the correct orientation.



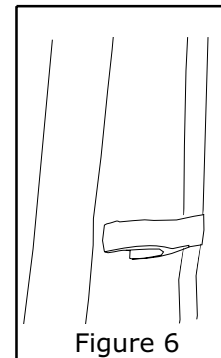
4. Use 2 sets of the nuts and bolts to assemble the Upper and Middle Handle assembly to the Lower Handle. The nuts should be positioned on the inside of the handle and the bolts on the outside. (See Figure 4)



5. Once the Handle is assembled connect the plug on the handle cable to the socket on the main unit. Tighten the screw ring to secure the cable.
(See Figure 5)



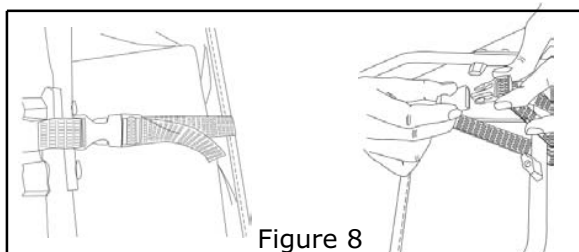
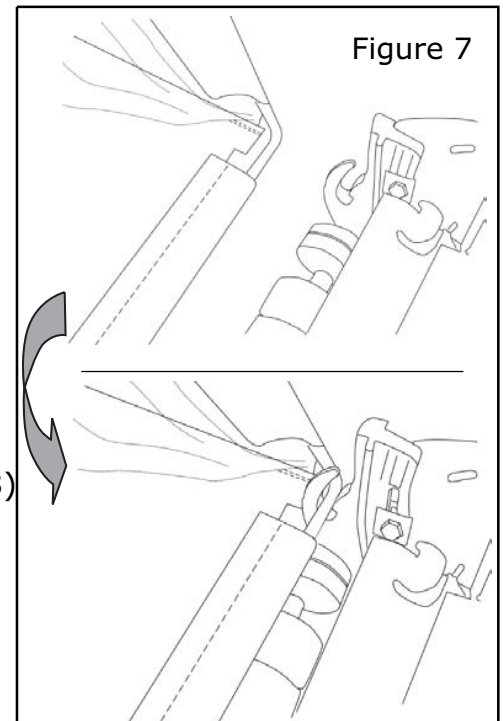
6. Secure the cable to the handle using the 3 cable clips.(See Figure 6)



7. Attaching the Grass Catcher to the Mower Base
Note: This mower can be used with or without grass catcher.

Step 1: 1. Place the 2 Grass Catcher side bar hooks onto both sides of the Grass Catcher Hooks on back of Reel Mower as shown in Figure 7.

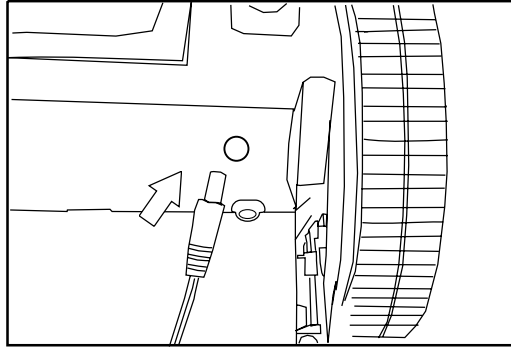
Step 2: Wrap the Security Belt, located on the back of the grass catcher, around the center joint of the Lower handles and lock buckle into place, as shown in Figure G (also refer to figure on front cover for reference if needed). Note the length of the Security Belt can be adjusted by modifying the Security Belt Length Adjustment Loop. (Figure 8)



BATTERY CHARGING AND RECHARGING

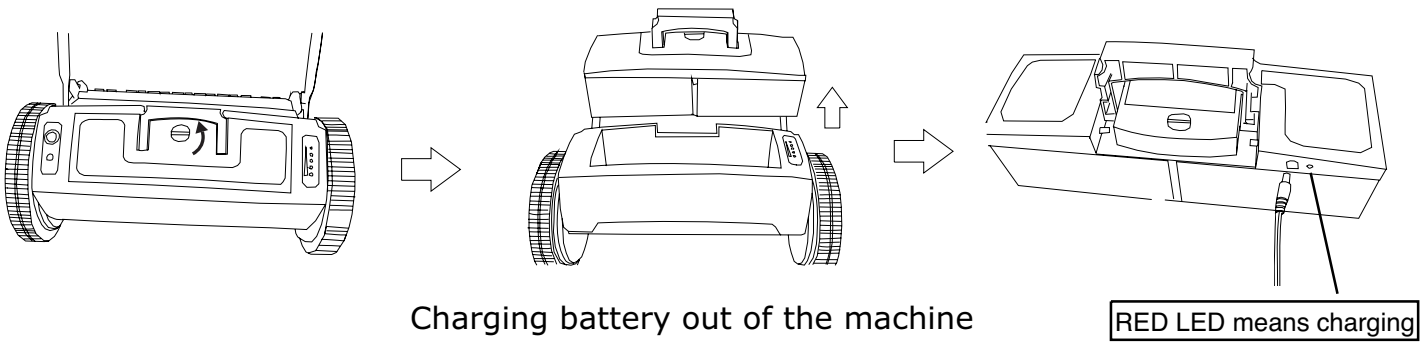
Before First use charge the battery for 24 hours

The battery does not have to be removed from the product to be charged. To charge the battery in the product, and plug the charger connector onto the battery socket.



Charging the battery in the product.

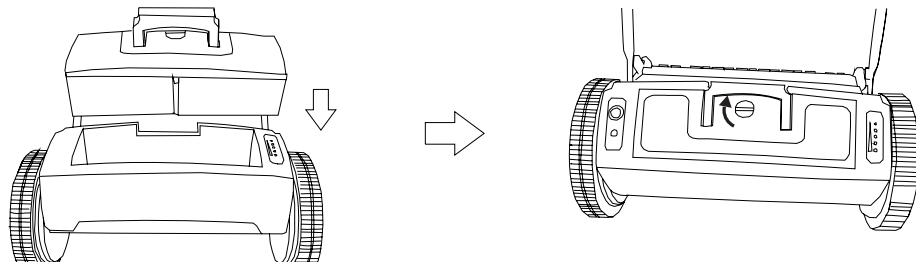
For external charging, first turn the knob on the battery lid counter-clockwise then raise the handle and lift battery out of the machine. Place the battery on a flat, non-slip surface, and plug the charger connector onto the battery socket, charge the battery for 24 hours each time.



Charging battery out of the machine

RED LED means charging

To refit the battery, lower it into the cavity on the top of the product in the correct orientation. Ensure the handle is pressed down and then turn the knob on the lid clockwise. If the battery does not fit correctly remove it and check there are no obstructions.



CHARGING INSTRUCTIONS: there are 5 LED on the main unit, The first three Led are showing the power capacity of the mower during operating. When the first 3 LED turn off and the fourth LED turns darker, it reminds you that the mower is lack of power and need to be charged. The last LED is charging indicator,when it turns Green, the mower charging is finished. See below explanation for details:



NOTES: To keep the battery in prime condition it is best to charge the battery after each use, and every 3 months if stored. After each use charge for 24 hours to ensure the battery is fully charged.

The battery will not be damaged if it is charged for longer than 24 hours, but it is advisable not to leave it on for more than 48 hours, since this might shorten the battery life.

IMPORTANT: Charge the battery after each use. Never store the Mower with a FLAT battery.



Only use the charger supplied with this product. Do not attempt to charge this product with any other charger nor attempt to charge any product with this charger, as it can cause damage and will invalidate your guarantee.

OPERATION

1. Cutting Height Adjustment



Caution:For safety ensure that the Battery is removed from the Mower before adjusting the cutting height.

The cutting height of the Mower may be adjusted from approximately 7.8 inches (20cm) up to approximately 19.5 inches(50cm). Actual height may vary according to the height of the grass. Adjust the mower to the desired height as follows:

(1)Ensure that the roller is fitted flat, it is recommended that the height is adjusted on a level surface. It is also recommended that the grass catcher be removed as this will allow easier access to the adjustment knobs.

- (2) Loosen the two large black knobs, one on each side of the mower body, to allow movement of the roller arms. (See Figure 9)

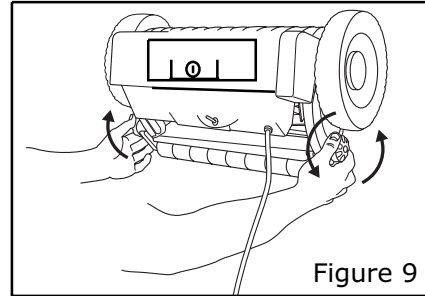


Figure 9

- (3) Slide the roller supports until the roller is at the required position, ensuring that it is level and the knobs are at the same height.
- (4) Tighten the knobs on both sides ensuring they are at the same height and properly secured. (See Figure 10)

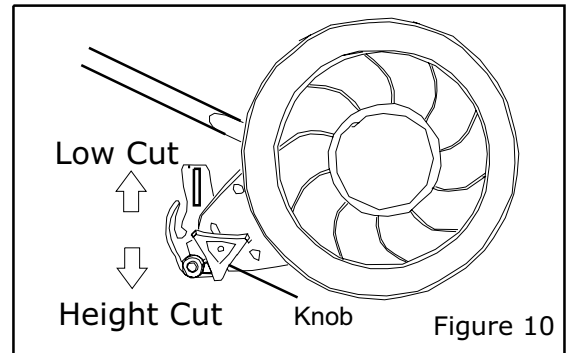



Figure 10

2. Blade Adjustment

 **Warning:** Blades are Extremely sharp, to avoid injury be careful not to touch blades when make adjustments.

Blade have been pre-adjusted prior to leaving factory. Misalignment can sometimes occur; often caused by blades being too loose or too tight against the cutting bar. This can cause an uneven cut or make the mower hard to push.

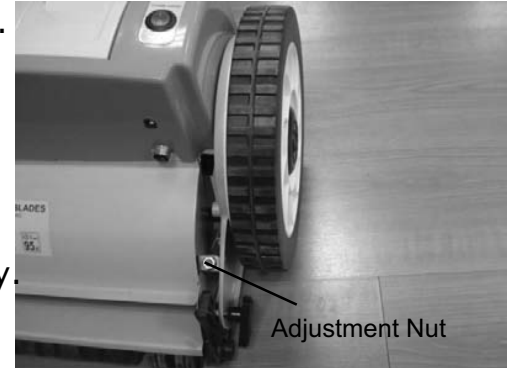
To Correct misalignment, adjustments to the cutting bar are needed.

Each end of the cutting bar can be adjusted separately.


The cutting bar pivots, It is located under the blade.

Turn the two adjustment nuts clockwise to tighten;

this moves the cutting bar closer in toward the blade. Turn the two adjustment nuts counter-clockwise to loosen and move the cutting bar farther away from the blade.



NOTE: Adjusting the nuts while making blade adjustments is a very sensitive procedure. A turn of 1/16" is considered a major adjustment. Before tightening one adjustment nut, make sure to adjust the opposite nut an equal amount.

 Do not over-tighten adjustemnt nut, as this could damage cutting bar.

3.Starting and Stopping



Warning

- Before starting the mower, check within the blade area for any foreign objects and remove them.
- Do not operate the mower on areas other than turf surfaces. The mower should be sitting on its wheels on a level part of lawn before starting operation.

(1) To start and operate the mower, First turn on the red on/off switch⁽¹³⁾ on the main unit, then press the safety button⁽²⁾ with one hand and pull the starting lever⁽³⁾ back toward the handle grip with another hand.

(2) To stop the mower, just release the lever⁽³⁾, the motor will switch off, then turn off the on/off switch⁽¹³⁾ on the main unit.

(3) The mower may be restarted at any time with the same procedure.

4.Reset Button

The reset button⁽¹⁴⁾ on the main body of the machine is to prevent any damage occurring to the battery or the motor due to a current overload, such as from the blade jamming.

To restart the mower wait for a few seconds then press the reset button so that it is level.

If the Reset button⁽¹⁴⁾ operates then following actions are recommended:

- (1) Make a first cut with a high cutting height then make a second cut with a lower cutting height. (See cutting height adjustment section on previous page)
- (2) Push the Mower more slowly.
- (3) Check the blade is correctly adjusted so the grass is cutting cleanly.

5.Mowing

To obtain a clean cut, push the mower in straight lines (passes) at a deliberate walking pace. Overlap the passes to even the cut and to avoid any uncut strips.

If you hear the motor in the mower change pitch dramatically while mowing, it may be overloaded.

Check to see if the grass is very thick or long, A first cut with height set higher will help reduce the load on the motor. (See Cutting Height Adjustment section). Push the mower more slowly when cutting thick grass.

6. Mowing Using the Grass Catcher (Optional Accessory)

The grass catcher collects the clippings as it mows. It attaches at the grass catcher hooks on the mower and by the strap to the mower handle. Mow using the same procedure as for normal mowing (above).

The roller apron keeps clippings from falling down between the cutting bar and the roller thus missing the grass catcher. The roller apron is installed just behind the cutting bar using the two screws provided. Once the roller apron is installed it is not necessary to remove it whether or not you are using the grass catcher.

MAINTENANCE



Caution: Remove the battery before carrying out any maintenance.
Do not accidentally turn the unit on while cleaning it.

Check for any faults such as loose or damaged blades, loose fittings, and worn or damaged components. If necessary carry out any repairs before using the mower again.

Check that covers and guards are correctly fitted, and are not damaged in any way. Clean the Mower using a soft brush or cloth. Do not use abrasive material to clean the product or immerse it in water.

Don't pick up liquids or use on wet ground.

Don't use on concrete, tar macadam or other rough surfaces.

Don't pick up pieces of string, stones or fabrics with the unit.

Be aware of raised areas such as paving stones or manhole covers that can damage the blades.

STORAGE

Before storing, remove the battery. Turn the machine on its side and clean the blade area. If grass cuttings are compacted in the blade area, remove with a wooden or plastic implement. Remove all grass and debris. Clean the exterior of the machine thoroughly using a soft brush or cloth. Do not use water, solvents or polish.

Store the Mower in a dry place and oil the blades.

Do not place other objects on top of the machine.

Always charge the battery after use, and every 3 months if stored for a long period of time.

For Storage in confined spaces the handles can be removed from the Mower.

Disconnect the power cord and flex the lower handles to remove from the frame locating lugs.

TECHNICAL DATA AND FEATURES

Rechargeable Lead-Acid Battery, 24V, 7AH
Cutting Path: 16"
No Load Speed: 750RPM
Cutting Capacity: 6000 sq. feet per hour
5 Cutting Blades
Adjustable Cutting Height: 7.8"19.5"
Wheel Size 10"(250mm)
Charge Time: 24 hours
Working Time: 50 minutes After Full Charge
Lower Noise
Safety Switch
With Grass Catcher
With Battery Display, Automatic Power Off for Lower Battery
Weight: 17kgs with battery

LIMITED WARRANTY

The 16" Cordless Reel Mower carries a 1-year warranty from the date of purchase against defective parts and workmanship. Warranty does not cover damage due to mishandling or abuse. Proof of purchase is required.