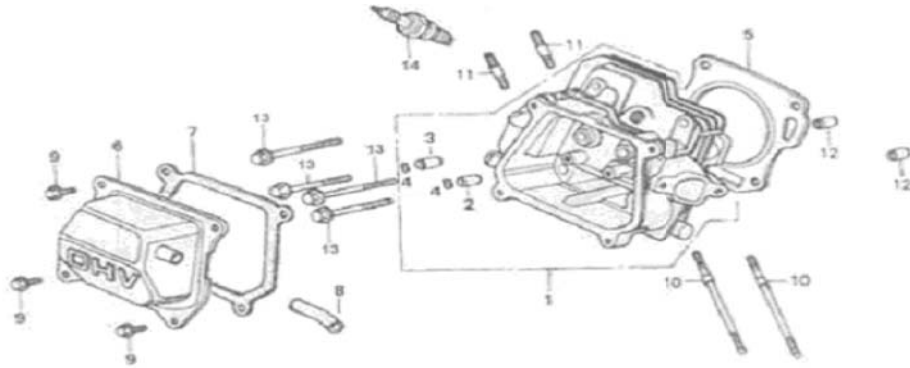
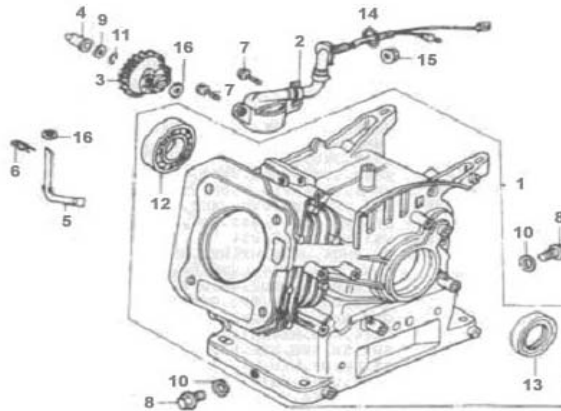


Cylinder head system assy



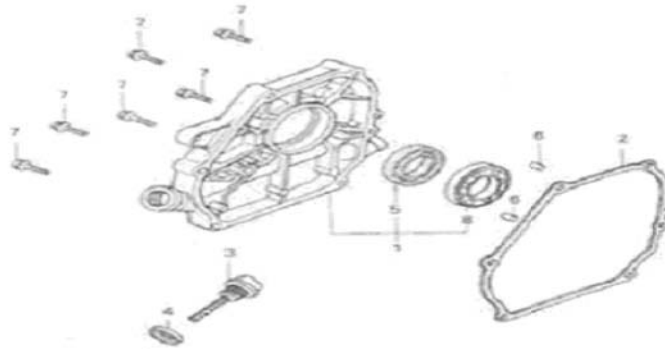
APA Part No.	Parts No.	Description
APP6020-A-01-JD	JF168-A-01	CYLINDER HEAD COMP.
APP6020-A-02-JD	JF168-A-02	IN. VALVE GUIDE
APP6020-A-03-JD	JF168-A-03	EX. VALVE GUIDE
APP6020-A-04-JD	JF168-A-04	VALVE GUIDE CLIP
APP6020-A-05-JD	JF168-A-05	CYLINDER HEAD GASKET
APP6020-A-06-JD	JF168-A-06	HEAD COVER COMP.
APP6020-A-07-JD	JF168-A-07	HEAD COVER PACKING
APP6020-A-08-JD	JF168-A-08A	BREATHER TUBE
APP6020-A-09-JD	JF168-A-09	FLANGE BOLT (M6×12)
APP6020-A-10-JD	JF168-A-10A	CARBURETOR STUD BOLT
APP6020-A-11-JD	JF168-A-11A	EXHAUST PIPE STUD BOLT
APP6020-A-12-JD	JF168-A-12	DOWEL PIN (10×16)
APP6020-A-13-JD	JF168-A-13	FLANGE BOLT (M8×58)
APP6020-A-14-JD	JF168-A-14	SPARK PLUG (LD NGK)

Cylinder barrel (1)



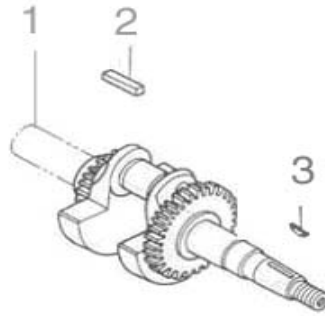
APA Part No.	Parts No.	Description
APP6020-B-01-JD	JF168-B-01	CRANK CASE
APP6020-B-02-JD	JF168-B-02	OIL LEVEL SWITCH ASSY.
APP6020-B-03-JD	JF168-B-03	GOVERNOR GEAR ASSY.
APP6020-B-04-JD	JF168-B-04	GOVERNOR SLIDER
APP6020-B-05-JD	JF168-B-05	ROCKER
APP6020-B-06-JD	JF168-B-06	LOCK PIN (8mm)
APP6020-B-07-JD	JF168-B-07	FLANGE BOLT (M6×20)
APP6020-B-08-JD	JF168-B-08	DRAIN PLUG BOLT
APP6020-B-09-JD	JF168-B-09	SLIDER WASHER (6mm)
APP6020-B-10-JD	JF168-B-10	DRAIN PLUG WASHER (10.2mm)
APP6020-B-11-JD	JF168-B-11	GOVERNOR HOLDER CLIP
APP6020-B-12-JD	JF168-B-12	BALL BEARING (6205) (TPI)
APP6020-B-13-JD	JF168-B-13	OIL SEAL (φ25×φ41.25×6)
APP6020-B-14-JD	JF168-B-14	O-RING (14mm)
APP6020-B-15-JD	JF168-B-15	FLANGE NUT (M10)
APP6020-B-16-JD	JF168-B-16	GOVERNOR GEAR (6mm)

Crankcase cover system assy.



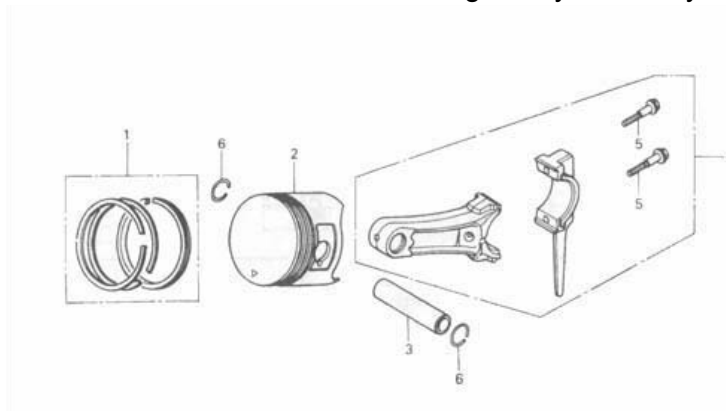
APA Part No.	Parts No.	Description
APP6020-C-01-JD	JF168-C-01A	CRANKCASE COVER ASSY.
APP6020-C-02-JD	JF168-C-02	CASE COVER PACKING
APP6020-C-03-JD	JF168-C-03A	OIL SCALE
APP6020-C-04-JD	JF168-C-04	OIL SCALE SEAL RING
APP6020-C-05-JD	JF168-B-13	OIL SEAL ($\phi 25 \times \phi 41.25 \times 6$)
APP6020-C-06-JD	JF168-C-05	DOWEL PIN (8×14)
APP6020-C-07-JD	JF168-C-06	FLANGE BOLT (M8×28)
APP6020-C-08-JD	JF168-B-12	BALL BEARING (6205)

Crankshaft system assy.



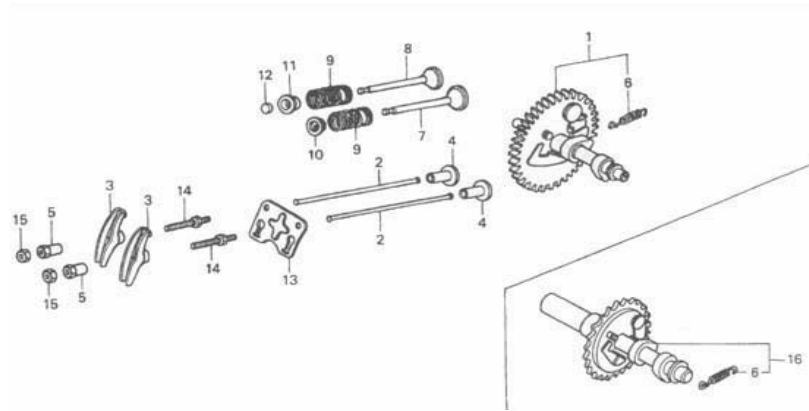
APA Part No.	Parts No.	Description
APP6020-D-01-JD	JF168-D-01	CRANKSHAFT COMP.
APP6020-D-02-JD	JF168-D-02	PLAIN KEY (5×5×30)
APP6020-D-03-JD	JF168-D-03	SEMICIRCLE KEY

Piston and connecting rod system assy.



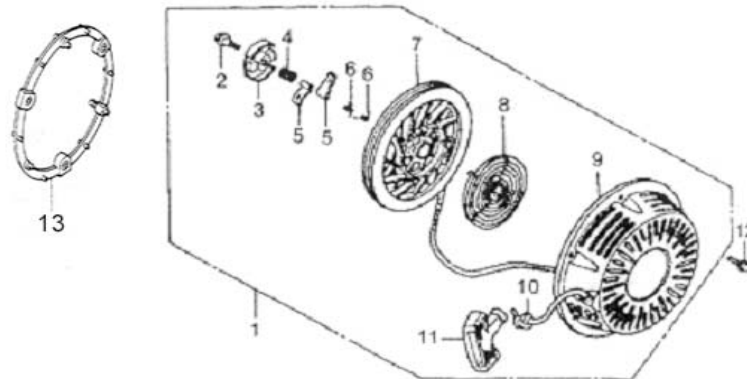
APA Part No.	Parts No.	Description
APP6020-E-01-JD	JF168-E-01	PISTON RING SET
APP6020-E-02-JD	JF168-E-02	PISTON
APP6020-E-03-JD	JF168-E-03	PISTON PIN
APP6020-E-04-JD	JF168-E-04	CONNECTING ROD ASSY.
APP6020-E-05-JD	JF168-E-05	CONNECTION ROD BOLT
APP6020-E-06-JD	JF168-E-06	PISTON PIN CLIP (18mm)

Camshaft system assy.



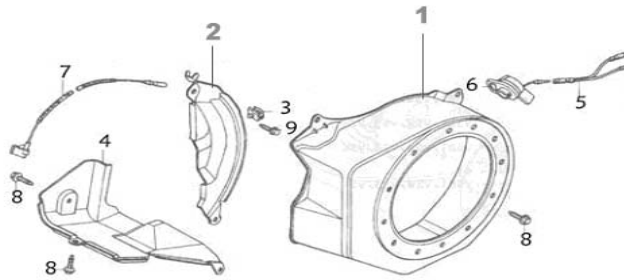
APA Part No.	Parts No.	Description
APP6020-F-01-JD	JF168-F-01A	JF168-E-01
APP6020-F-02-JD	JF168-F-02	CAMSHAFT ASSY.
APP6020-F-03-JD	JF168-F-03	PUSH ROD
APP6020-F-04-JD	JF168-F-04	ROCKER ARM
APP6020-F-05-JD	JF168-F-05	VALVE LIFTER
APP6020-F-06-JD	JF168-F-06	ADJUSTING NUT
APP6020-F-07-JD	JF168-F-07	WEIGHT RETURN SPRING
APP6020-F-08-JD	JF168-F-08	IN. VALVE
APP6020-F-09-JD	JF168-F-09	EX. VALVE
APP6020-F-10-JD	JF168-F-10	VALVE SPRING
APP6020-F-11-JD	JF168-F-11	IN. VALVE SPRING RETAINER
APP6020-F-12-JD	JF168-F-12	EX. VALVE SPRING RETAINER
APP6020-F-13-JD	JF168-F-13	EX. VALVE HELMET
APP6020-F-14-JD	JF168-F-14	ROCKER BOLT (M8)
APP6020-F-15-JD	JF168-F-15	LOCKNUT
APP6020-F-16-JD	JF200-F-01B	CAMSHAFT ASSY.

Recoil starter system assy



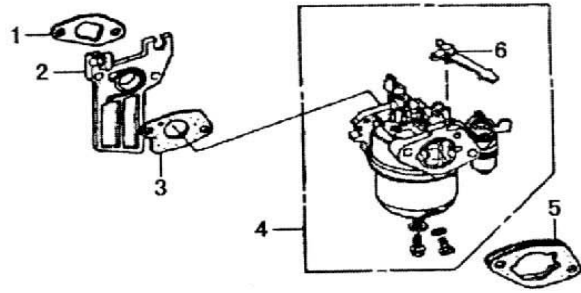
APA Part No.	Parts No.	Description
APP6020-G-01-JD	JF168-G-01	RECOIL STARTER ASSY.
APP6020-G-02-JD	JF168-G-02	SETTING SCREW
APP6020-G-03-JD	JF168-G-03	RATCHET GUIDE
APP6020-G-04-JD	JF168-G-04	FRICTION SPRING
APP6020-G-05-JD	JF168-G-05	STARTER RATCHET
APP6020-G-06-JD	JF168-G-06	RATCHET SPRING
APP6020-G-07-JD	JF168-G-07	RECOIL STARTER REEL
APP6020-G-08-JD	JF168-G-08	RECOIL STARTER SPRING
APP6020-G-09-JD	JF168-G-09	RECOIL STARTER CASE COMP.
APP6020-G-10-JD	JF168-G-10	RECOIL STARTER ROPE
APP6020-G-11-JD	JF168-G-11	STARTER GRIP
APP6020-G-12-JD	JF168-G-12	FLANGE BOLT (M6×8)
APP6020-G-13-JD	JF200-G-13	RECOIL STARTER SPACER

Fan cover system assy.



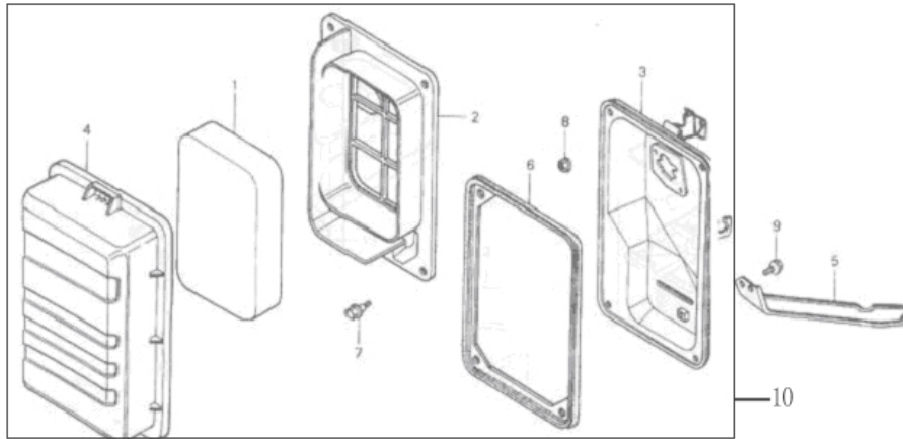
APA Part No.	Parts No.	Description
APP6020-H-01-JD	JF168-H-01	FAN COVER COMP.
APP6020-H-02-JD	JF168-H-02	FLYWHEEL SIDE PLATE
APP6020-H-03-JD	JF168-H-03	CORD CLAMPER
APP6020-H-04-JD	JF168-H-04	SHROUD
APP6020-H-05-JD	JF168-H-05	SUB-HARNESS
APP6020-H-06-JD	JF168-H-06	ENGINE STOP SWITCH ASSY.
APP6020-H-07-JD	JF168-H-07	STOP SWITCH WIRE
APP6020-H-08-JD	JF168-H-08	FLANGE BOLT (M6×12)
APP6020-H-09-JD	JF168-H-09	FLANGE BOLT (M6×16)

Carburetor system assy.



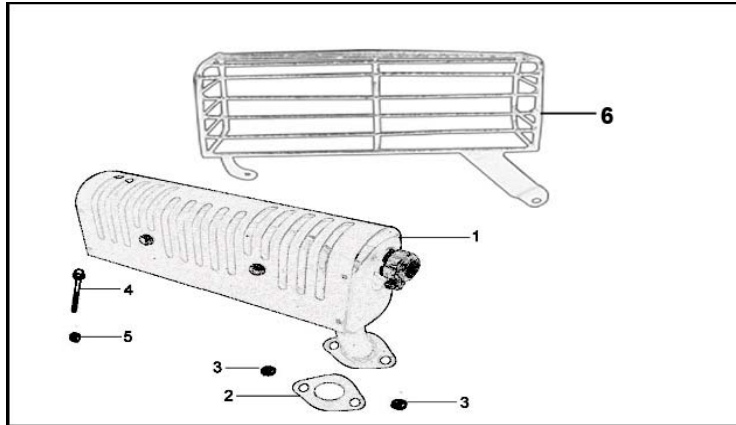
APA Part No.	Parts No.	Description
APP6020-I-01-JD	JF168-I-01	INTAKE PIPE GASKET
APP6020-I-02-JD	JF168-I-02A	CARBURETOR INSULATING PLATE
APP6020-I-03-JD	JF168-I-03	CARBURETOR PAPER GASKET
APP6020-I-04-JD	JF168-I-04A	CARBURETOR
APP6020-I-05-JD	JF168-I-05	CARBURETOR SPACER COMP.
APP6020-I-06-JD	JF168-I-06	CHOKE LEVER COMP.

Air cleaner



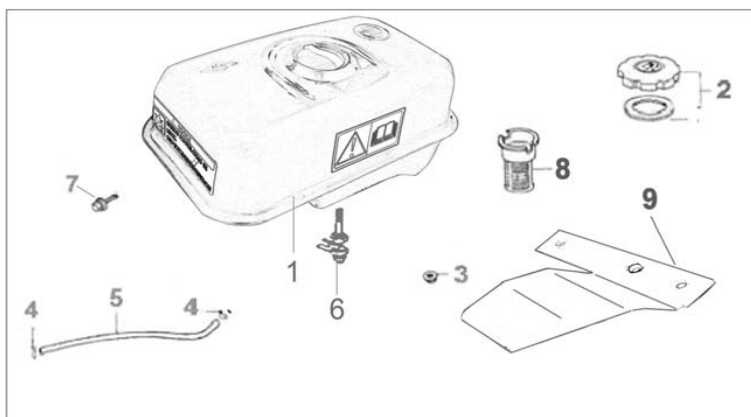
APA Part No.	Parts No.	Description
APP6020-J-01-JD	JF168-L-01	OUTER FILTER
APP6020-J-02-JD	JF168-L-02	AIR CLEANER PRINCIPAL PART
APP6020-J-03-JD	JF168-L-03	AIR CLEANER CASE COMP.
APP6020-J-04-JD	JF168-L-04	AIR CLEANER COVER
APP6020-J-05-JD	JF168-L-05	AIR CLEANER SUPPORT
APP6020-J-06-JD	JF168-L-06	AIR CLEANER SEAL
APP6020-J-07-JD	JF168-L-07	WINKER SETTING BOLT
APP6020-J-08-JD	JF168-L-08	FLANGE NUT (M6)
APP6020-J-09-JD	JF168-L-09	FLANGE BOLT (M6 × 10)
APP6020-J-10-JD	JF168-L-10	AIR CLEANER ASSY.

Muffler system assy.



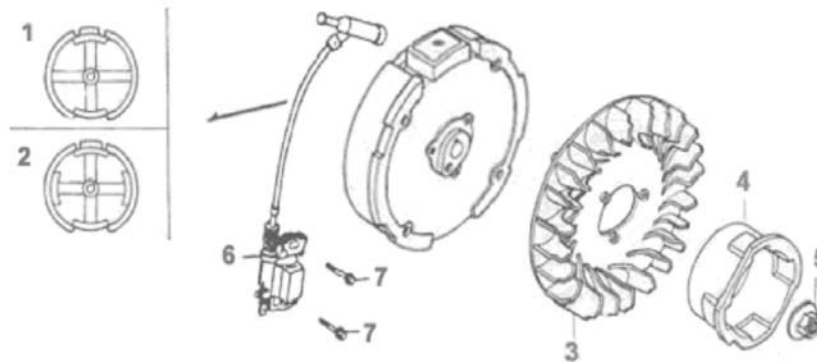
APA Part No.	Parts No.	Description
APP6020-K-01-JD	JF168-R-01	MUFFLER COMP.
APP6020-K-02-JD	JF168-R-02	MUFFLER GASKET
APP6020-K-03-JD	JF168-R-03	FLANGE NUT (M8)
APP6020-K-04-JD	JF168-R-04	FLANGE BOLT (M6×35)
APP6020-K-05-JD	JF168-R-05	FLANGE NUT (M6)
APP6020-K-06-JD	JF168-R-06	MUFFLER OUTER PROTECTOR.

Fuel tank system assy.



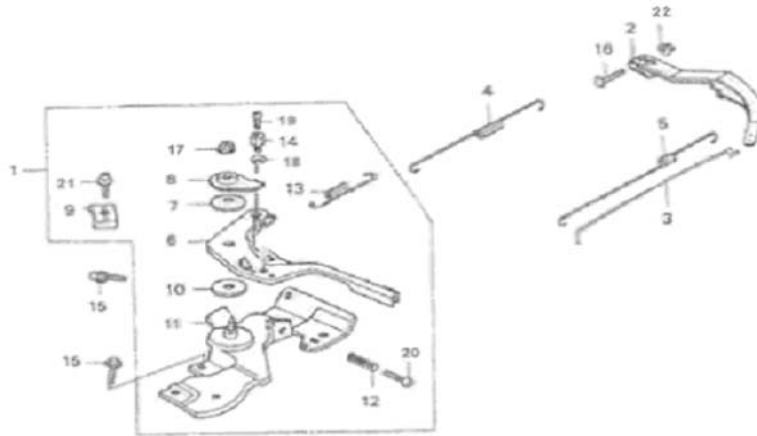
APA Part No.	Parts No.	Description
APP6020-L-01-JD	JF168-N-01	FUEL TANK COMP.
APP6020-L-02-JD	JF168-N-02	FUEL FILLER CAPCOMP.
APP6020-L-03-JD	JF168-N-03	FLANGE NUT (M6)
APP6020-L-04-JD	JF168-N-04	TUBE CLIP
APP6020-L-05-JD	JF168-N-05	FUEL TUBE
APP6020-L-06-JD	JF168-N-06	FUEL TANK JOINT
APP6020-L-07-JD	JF168-N-07	FLANGE BOLT (M6×30)
APP6020-L-08-JD	JF168-N-08	FUEL FILTER
APP6020-L-09-JD	JF168-N-09	BRACKET

Flywheel system assy.



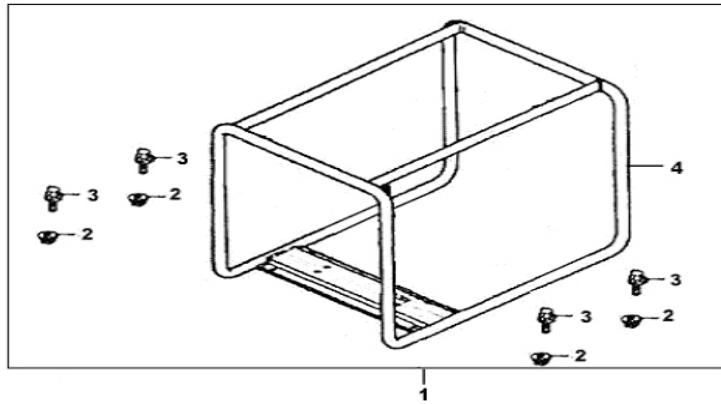
APA Part No.	Parts No.	Description
APP6020-M-01-JD	WP20	FLYWHEEL COMP.
APP6020-M-02-JD	JF168-O-01A	FLYWHEEL COMP.
APP6020-M-03-JD	JF168-O-01B	COOLING FAN
APP6020-M-04-JD	JF168-O-02	STARTER PULLEY
APP6020-M-05-JD	JF168-O-03	FLYWHEEL NUT
APP6020-M-06-JD	JF168-O-04	IGNITION COIL ASSY.
APP6020-M-07-JD	JF168-O-05	FLANGE BOLT (M6×25)

Control system assy.



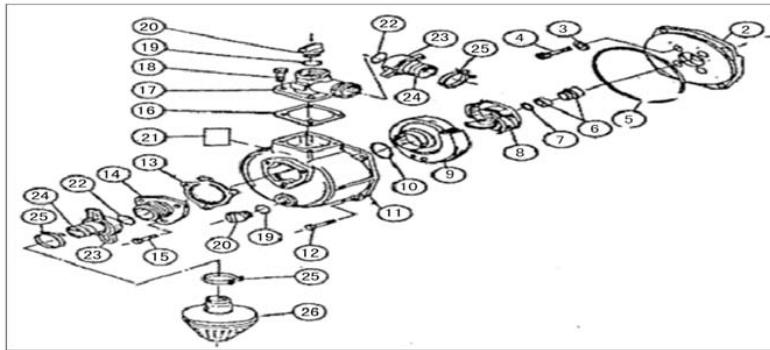
APA Part No.	Parts No.	Description
APP6020-N-01-JD	JF168-P-01	CONTROL ASSY.
APP6020-N-02-JD	JF168-P-02	CONTROL ARM
APP6020-N-03-JD	JF168-P-03	GOVERNOR ROD
APP6020-N-04-JD	JF168-P-04	GOVERNOR SPRING
APP6020-N-05-JD	JF168-P-05	THROTTLE RETURN SPRING
APP6020-N-06-JD	JF168-P-07	CONTROL LEVER
APP6020-N-07-JD	JF168-P-08	DISH SPRING
APP6020-N-08-JD	JF168-P-09	CONTROL LEVER WASHER
APP6020-N-09-JD	JF168-P-10	CABLE HOLDER
APP6020-N-10-JD	JF168-P-11	CONTROL LEVER SPACER
APP6020-N-11-JD	JF168-P-12	CONTROL BASE COMP.
APP6020-N-12-JD	JF168-P-13	CONTROL ADJUSTING
APP6020-N-13-JD	JF168-P-01	CABLE RETURN SPRING
APP6020-N-14-JD	JF168-P-02	WIRE HOLDER
APP6020-N-15-JD	JF168-P-03	FLANGE BOLT (M6×12)
APP6020-N-16-JD	JF168-P-04	QUADRATE BOLT (M6)
APP6020-N-17-JD	JF168-P-05	SELF-LOCK NUT (M6)
APP6020-N-18-JD	JF168-P-07	CIRCLIP (5mm)
APP6020-N-19-JD	JF168-P-08	PAN SCREW (M4×6)
APP6020-N-20-JD	JF168-P-09	PAN SCREW (M5×25)
APP6020-N-21-JD	JF168-P-10	PAN SCREW (M5×16)
APP6020-N-22-JD	JF168-P-11	FLANGE NUT (M6)

Frame



APA Part No.	Parts No.	Description
APP6020-O-01-JD	WP20-A-01	FRAME COMP.
APP6020-O-02-JD	WP20-A-02	FLANGE BOLT (M6×12)
APP6020-O-03-JD	WP20-A-03	FLANGE NUT (M8)
APP6020-O-04-JD	WP20-A-04	FRAME

Water Pump



APA Part No.	Parts No.	Description
APP6020-P-01-JD	WP20-A-01	WATER PUMP
APP6020-P-02-JD	WP20-B-01	BRACKET
APP6020-P-03-JD	WP20-B-02	SEALING WASHER
APP6020-P-04-JD	WP20-B-03	SOCKET BOLT
APP6020-P-05-JD	WP20-B-04	O-RING
APP6020-P-06-JD	WP20-B-05	MECHANICAL SEAL ASM
APP6020-P-07-JD	WP20-B-06	ADJUSTING WASHER
APP6020-P-08-JD	WP20-B-07	IMPELLER
APP6020-P-09-JD	WP20-B-08	VOLUTE
APP6020-P-10-JD	WP20-B-09	O-RING
APP6020-P-11-JD	WP20-B-10	CASING
APP6020-P-12-JD	WP20-B-11	BOLT
APP6020-P-13-JD	WP20-B-13	CHECK VALVE
APP6020-P-14-JD	WP20-B-14	SUCTION FLANGE
APP6020-P-15-JD	WP20-B-15	BOLT
APP6020-P-16-JD	WP20-B-16	D/F PACKING
APP6020-P-17-JD	WP20-B-17	DELIVERY FLANGE
APP6020-P-18-JD	WP20-B-18	BOLT
APP6020-P-19-JD	WP20-B-19	O-RING
APP6020-P-20-JD	WP20-B-20	PLUG
APP6020-P-21-JD	WP20-B-21	NAME PLATE
APP6020-P-22-JD	WP20-B-22	PACKING
APP6020-P-23-JD	WP20-B-23	HOSE COUPLING
APP6020-P-24-JD	WP20-B-24	HOSE JOINT
APP6020-P-25-JD	WP20-B-25	HOSE BAND
APP6020-P-26-JD	WP20-B-26	STRAINER